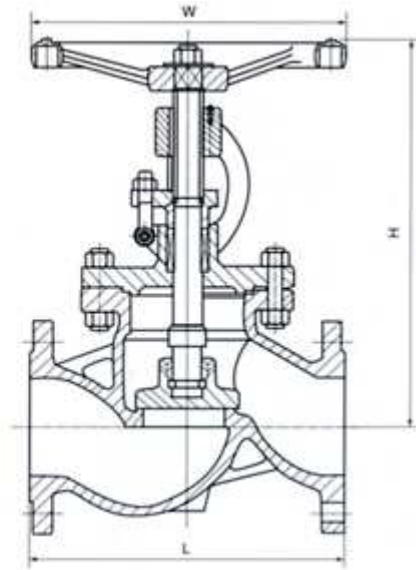




### DIN F2 GLOBE VALVE



Features:

### DIN F2 GLOBE VALVE

#### Technical specification

Structural Formation	BB-BG-OS & Y
Driving Manner	Hand-Operated
	Electric-Actuated
Design Standard	DIN3356
Face to Face	DIN3202
Flange Ends	DIN2543-2545
Test & Inspection	DIN3230

Notes: The size of serial, valve connecting flange can be design according to customers requirement.

#### Products performance specification

Nominal Pressure (Mpa)	Shell Test(Mpa)	Sealing Test(Mpa)	Suitable Temp(oC)	Suitable Medium
1.6	2.4	1.76	110-600 oC	Water Oil & Gas



2.5	3.75	2.75		
4.0	6.0	4.4		
6.4	9.6	7.04		

**Main Dimensions**

**unit:mm**

Pressure (Mpa)	PN 6.4 Mpa															
Size	15	20	25	32	40	50	65	80	100	125	150	200	250	300	350	400
L	130	150	160	180	200	300	340	380	430	500	550	650	775	900	1025	1150
H	240	260	276	285	300	305	354	402	437	496	541	699	815	914	1189	1350
W	120	140	160	160	180	200	200	250	250	300	350	400	450	500	550	600
Weight(kg)	8	10	12	16	17	26	33	45	65	90	120	230	470	680	850	1130

Pressure (Mpa)	PN 10.0 Mpa															
Size	15	20	25	32	40	50	65	80	100	125	150	200	250	300	350	400
L	130	150	160	180	200	300	340	380	450	500	550	650	775	900	1025	1250
H	240	260	276	285	300	325	363	415	453	505	556	744	864	948	1269	1450
W	120	140	160	160	180	200	200	250	300	350	400	450	500	550	600	600
Weight(kg)	8	10	13	17	19	27	34	46	67	95	125	235	480	690	860	1150

Pressure (Mpa)	PN 16.0 Mpa															
Size	15	20	25	32	40	50	65	80	100	125	150	200	250	300	350	400
L	130	150	160	180	200	300	340	380	450	500	550	650	775	900	1025	1250
H	240	260	276	285	300	325	370	430	480	532	589	783	888	965	1285	1512
W	120	140	160	160	180	200	200	250	300	350	400	450	500	550	600	600
Weight(kg)	8	10	13	17	20	28	35	49	70	100	130	245	490	710	890	1190

[Contact Online](#)